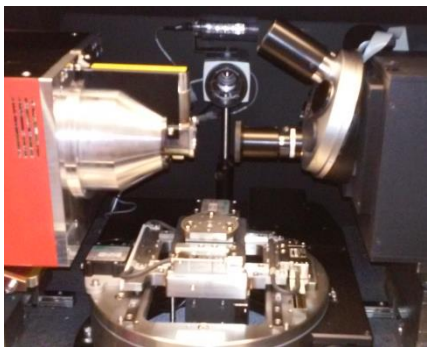


The art of innovation



MicroOptik's Heating Stage
Model: MHS μ XCT600

MicroOptik's MHS μ XCT600 series are temperature controlled heating stages with wide temperature range from ambient up to 600°C. The In-situ MHS μ XCT600 stages are developed for X-Ray μ XCT applications where the temperature control of the samples are required. We provide a complete adaptation of MHS μ XCT600 stages to the existing μ XCT systems on the market.



The MHS μ XCT600 stage supplies with high precision digital MTDC600 programmable temperature controller. MTDC600 temperature controller can be operated by Software or Manually. It makes the system more adaptive and flexible.



MicroOptik's Heating stage
 μ XCT600 assembly

MicrOptik's Heating Stage MHS μ XCT600

MicroOptik's Heating Stage MHS μ XCT600 are developed for In-situ X-Ray μ XCT applications and provides temperature range up to 600°C. MHS μ XCT600 heating stage is a convenient system for continuous usage during long experiments. The compact and simple design allows the stage to be adopted to any existing μ XCT system.

MHS μ XCT600 heating stage has a lot of other features:

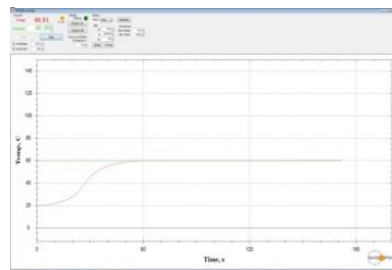
- Controlled wide temperature range from room and up to 600°C
- Programmable temperature controller
- High precision and high resolution temperature measurement and control
- Software (via USB2.0) or Manual control
- Removable cover for easy sample access
- Water cooling frame
- Re-circulating water chiller
- Flexible pipes and cables to allow easy mounting
- Height of specimen holder base can be set with different length holders as required for stage
- Maximum cooling/heating rate 100°C per minute
- Operating voltage 115V or 230V

MHS μ XCT600 Technical Specification:

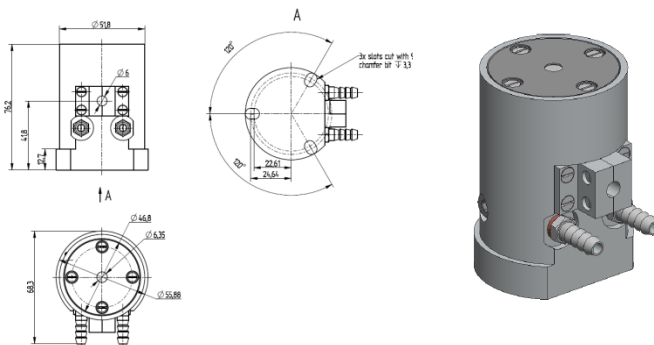
Temperature range	ambient to 600°C (other per request)
Temperature resolution	0.1°C
Temperature stability	0.2°C
Temperature control method	Switching PID-PID
Temperature control sensor	RTD
Sample area	Ø 6.3...40mm (per request)

MTDC600 Temperature Controller and Software

The MTDC600 is a high performance temperature controller with resolution 0.1°C and accuracy 0.2°C. The controller MTDC600 has a built-in power supply and can be controlled manually or through a USB2.0 communication port. Software provides a convenient platform for all possible experiments. PID parameters, temperature limits and control essentials can be easily selected through the relevant menus.



MHS μ XCT600 Overall Dimensions



More information! Please contact us info@microptik.eu